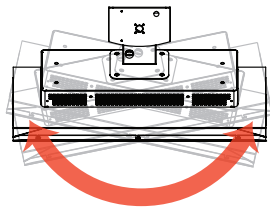
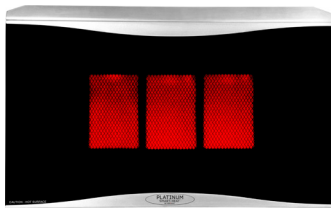


## PLATINUM SMART-HEAT™ GAS

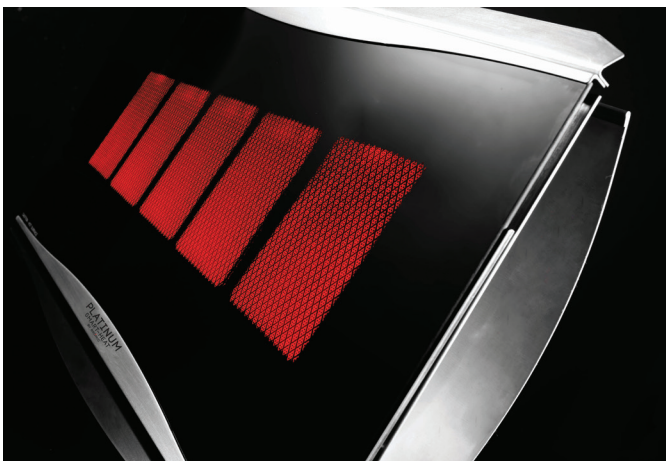
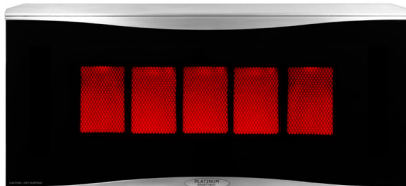
Top quality performance and the looks to match

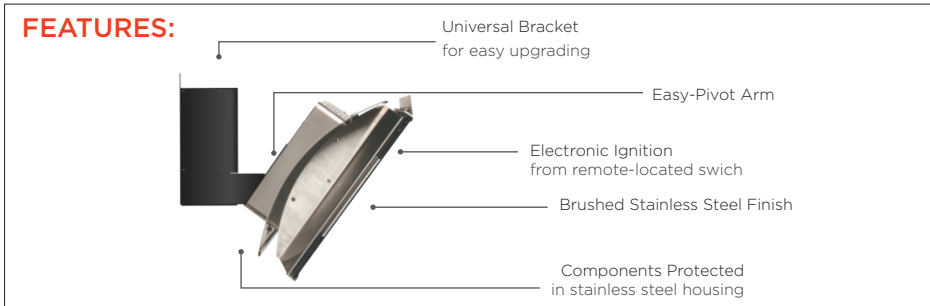


Brushed stainless steel and a ceramic medium makes Platinum Smart-Heat™ Gas suitable for the most exclusive outdoor environments.

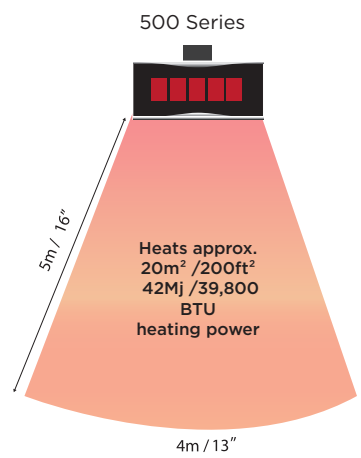
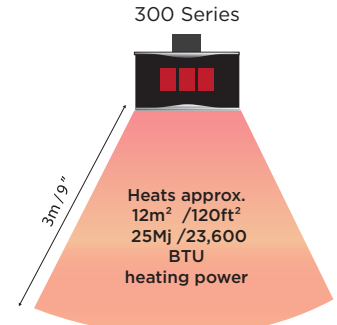
Tinted ceramic transforms an otherwise obtrusive red glare emitted by traditional tiles into a soft glow, enhancing the overall experience and ensuring even heat distribution.

Directional ceiling or wall mounts provides greater positioning versatility and heat coverage.

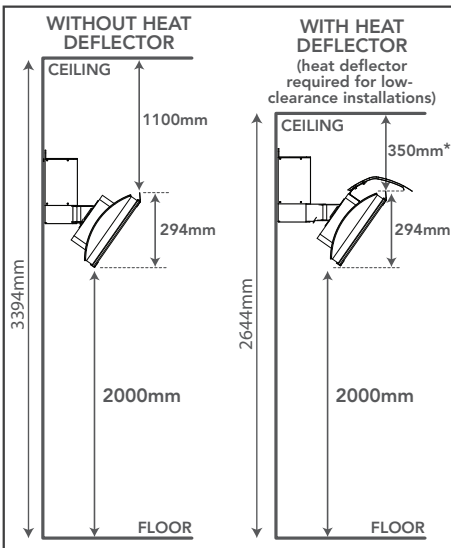




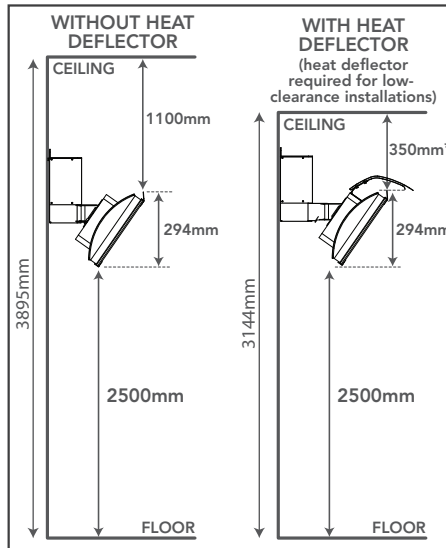
## HEATING AREAS:



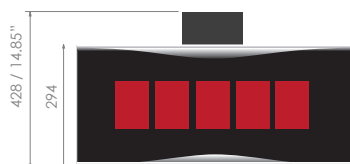
## MINIMUM INSTALLATION CLEARANCES WALL MOUNTING



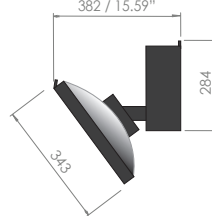
## MINIMUM INSTALLATION CLEARANCES CEILING MOUNTING



300



500

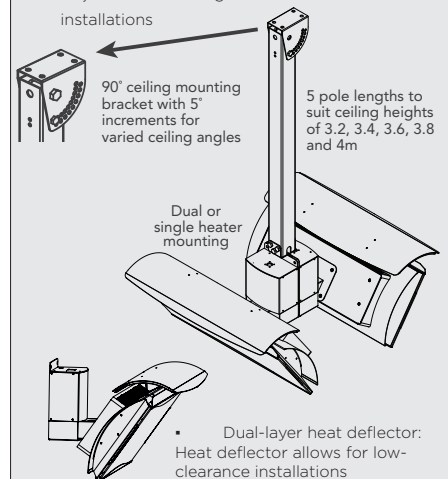


\*Heat area dependent on ambient temperature and wind.

Optimum conditions experienced at approx 15.5°C / 60°F & low wind

## ACCESSORIES\*

- Ceiling poles (black electro plated):
  - The dual-directional ceiling mount pole offers greater positioning versatility in larger open areas.
- Adjustable mounting bracket to suit most installations



- Dual-layer heat deflector: Heat deflector allows for low-clearance installations

\*All accessories sold separately

Model		300 Series	500 Series
Part no.	LPG <sup>1,2</sup>	2620130	2620140
	Natural Gas <sup>1,2</sup>	2620131	2620141
Heat Deflector part no.		2620165	2620166
Ceiling Poles		5 pole lengths to suit ceiling heights of 3.2, 3.4, 3.6, 3.8 and 4m (contact Bromic Heating for more information)	
Heat Output (on LPG and NG)		25Mj	42Mj
Approximate area heated (m <sup>2</sup> )		12m <sup>2</sup>	20m <sup>2</sup>
Gas connection		3/8" SAE	3/8" SAE
Electrical connection		240 Volt, 3-pin insulated plug	240 Volt, 3-pin insulated plug
Dimension (WxDxHmm)		560 x 382 x 428mm	756 x 382 x 428mm
Min. distance to combustible materials <sup>2</sup> (without heat deflector) <sup>2</sup> (with heat deflector) <sup>2</sup>		Side: 1100mm	
		Above (to ceiling): 1100mm	
		Above (to ceiling): 350mm	
Mounting height requirement to ground <sup>3</sup>		Wall Mount: 2000mm, Ceiling Pole Mount: 2500mm	
Weight (kg)		12.5kg	16.5kg

<sup>1</sup>Must only be installed by a licensed technician. Must complete "Pre-Installation Checklist" before installing. <sup>2</sup>The temperature will not exceed 65°C above the ambient temperature at specified distances. Please consult material manufacturer for temperature ratings and suitability. Bromic Heating takes no responsibility for material compliance. <sup>3</sup>Installation must be performed in accordance with AS5601 installation code (or relevant standard) and must comply with any additional jurisdictional requirements. Bromic takes not responsibility for incorrect or non-compliant installations